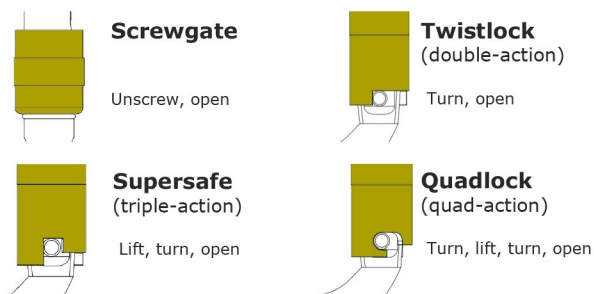


KH212 HMS Karabiner

Data Sheet



Gate Options



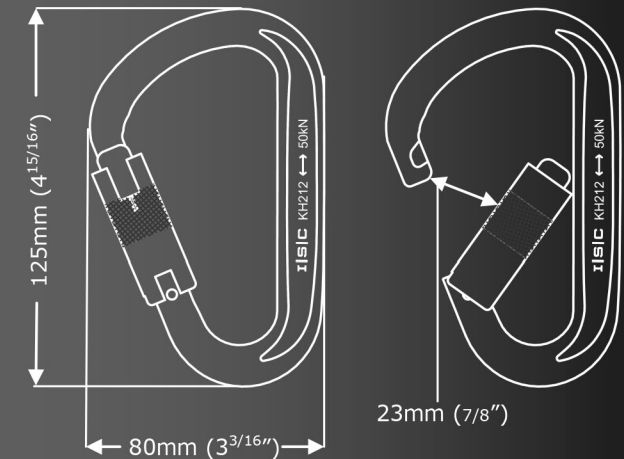
climb. work. rescue.

ISC

SOLUTIONS IN METAL

ISC Performance Karabiners are forged for best build quality and feature a unique 'Blind' nose, which improves performance by reducing snagging. The Barrels have been designed with a square cut notch to limit debris build up.

ISC Steel Karabiners are of sleek ergonomic design, with a high strength to weight ratio.



Average Weight	276g (10oz)
Gate Opening *	23mm (15/16")
Body Material	Steel
Finish	Zinc Plated
MBS	50kN (11240lbf)

*Gate opening measurements are approximate.

Options

ANSI Compliant Barrells Available on request

